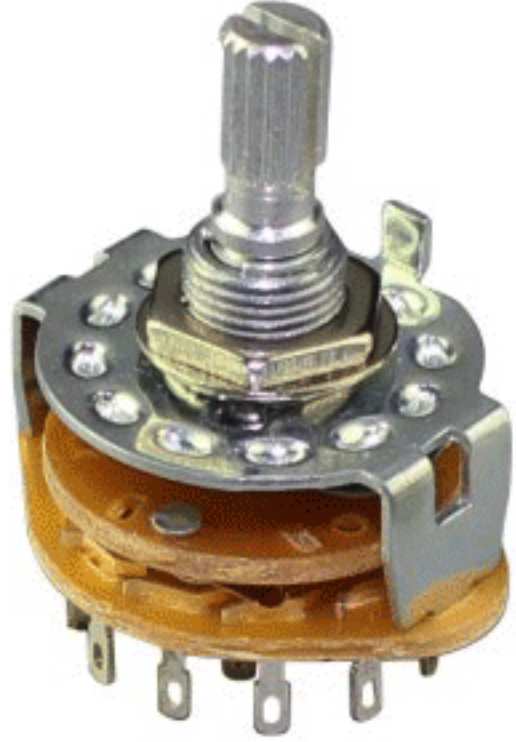
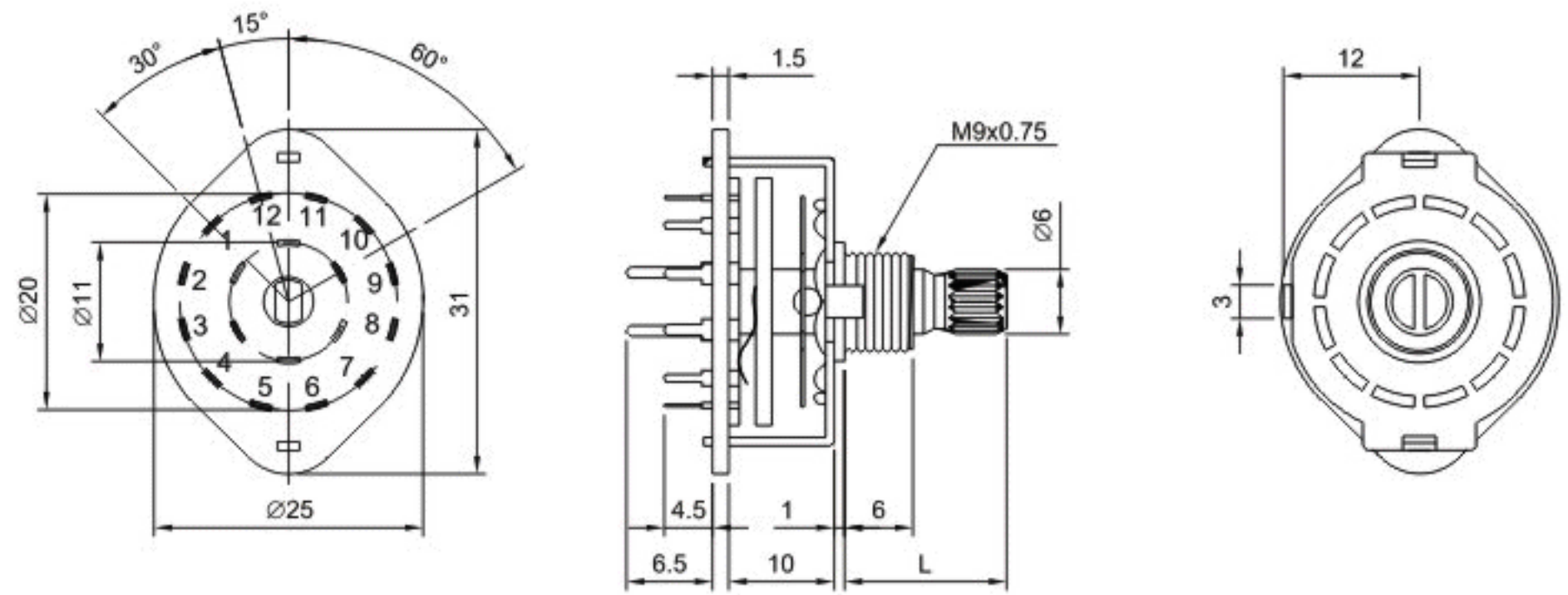
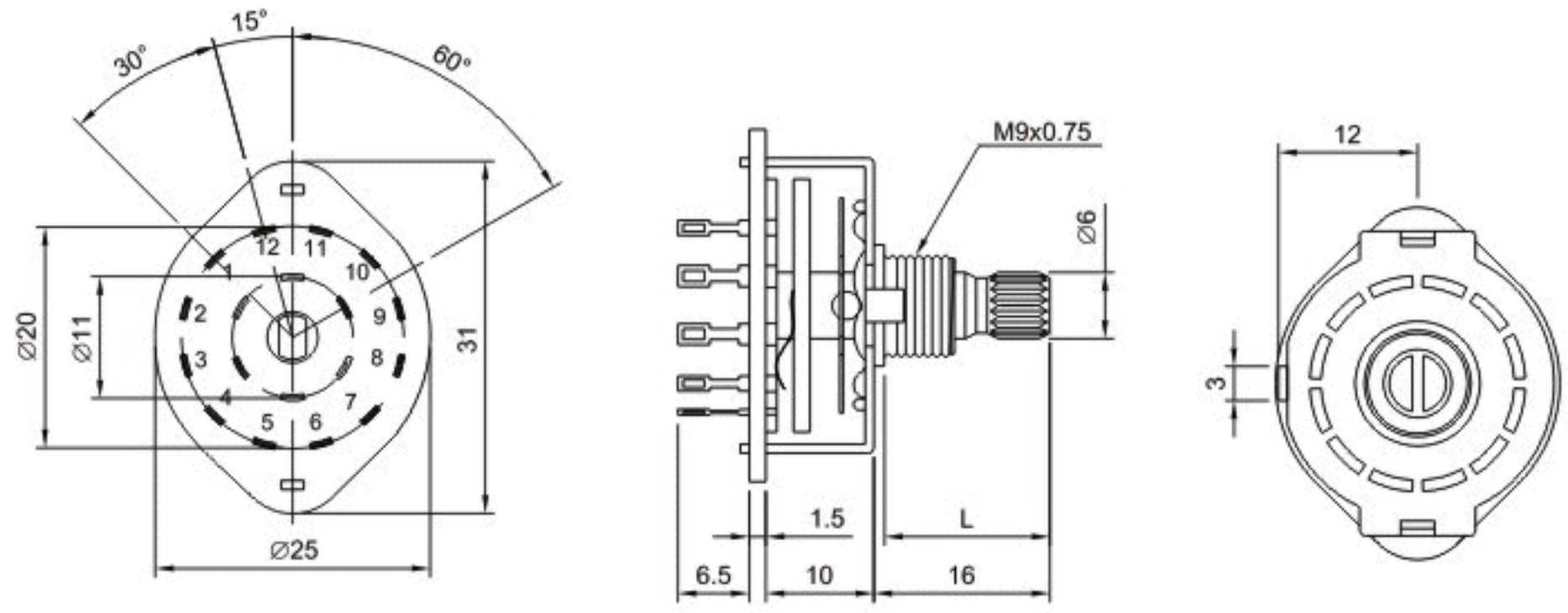


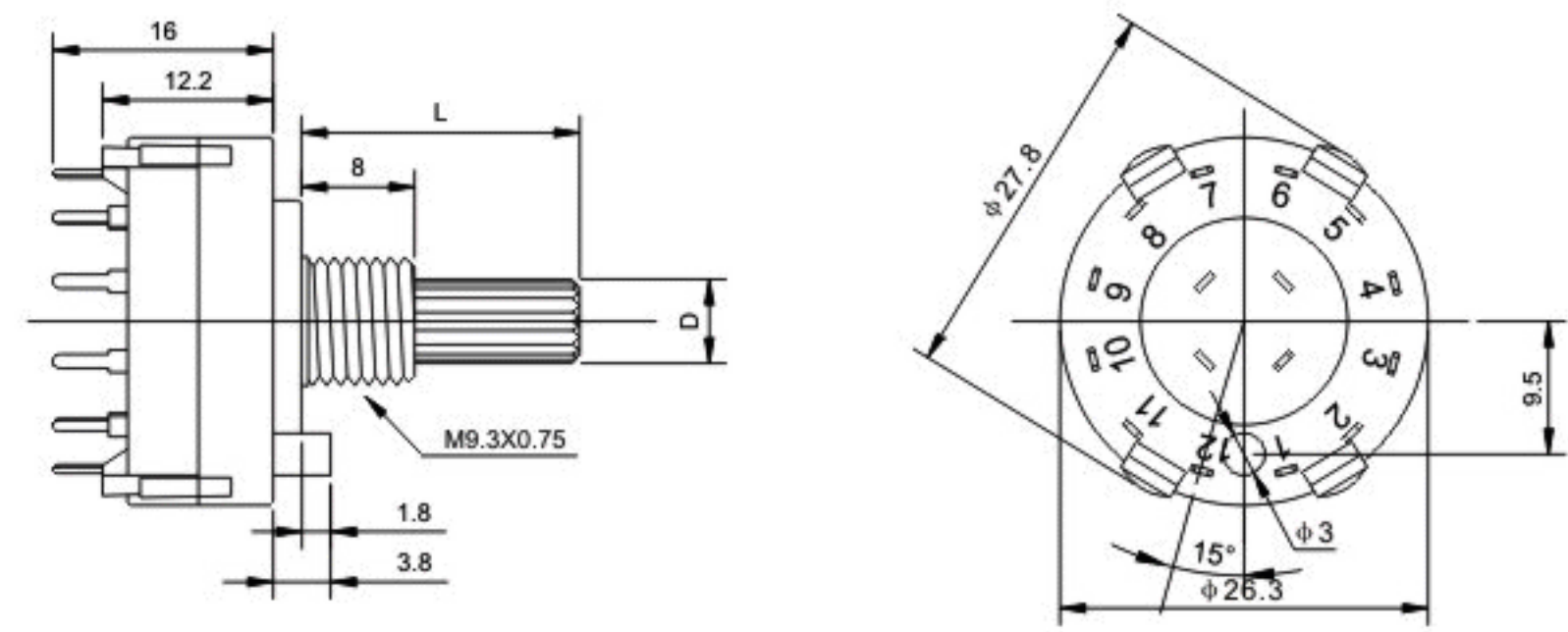
RBS-1-112-20VP (1P12T)
 RBS-1-206-20VP (2P6T)
 RBS-1-304-20VP (3P4T)
 RBS-1-403-20VP (4P3T)
 RBS-1-602-20VP (6P2T)
 L=15;20;25;40mm
 0.5A 125VAC;0.3A 250VAC



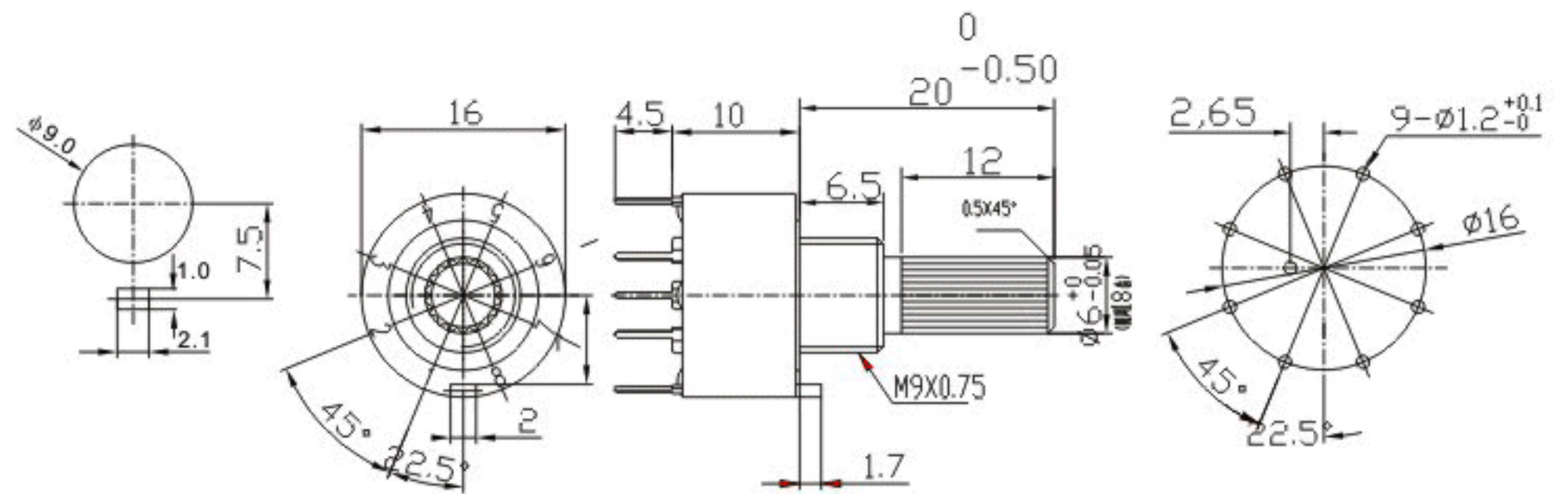
RBS-1-112-20VS (1P12T)
 RBS-1-206-20VS (2P6T)
 RBS-1-304-20VS (3P4T)
 RBS-1-403-20VS (4P3T)
 RBS-1-602-20VS (6P2T)
 L=15;20;25;40mm
 0.5A 125VAC;0.3A 250VAC



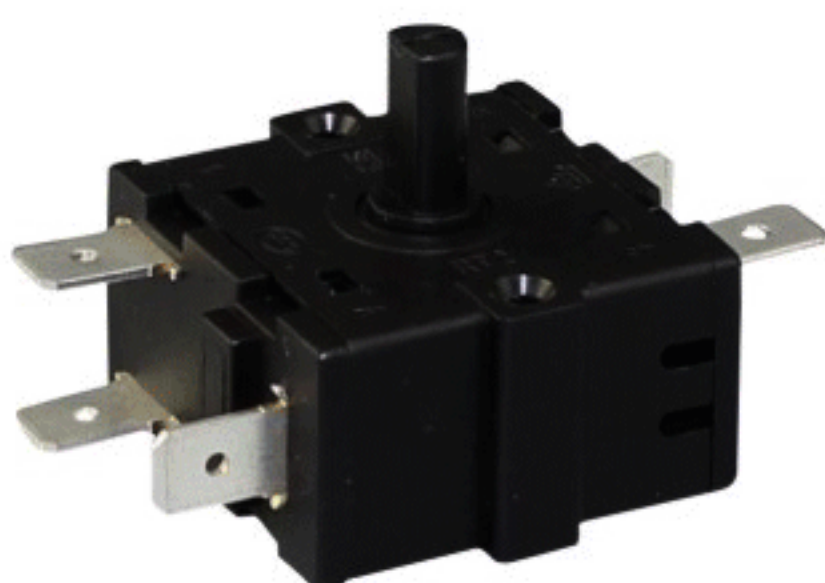
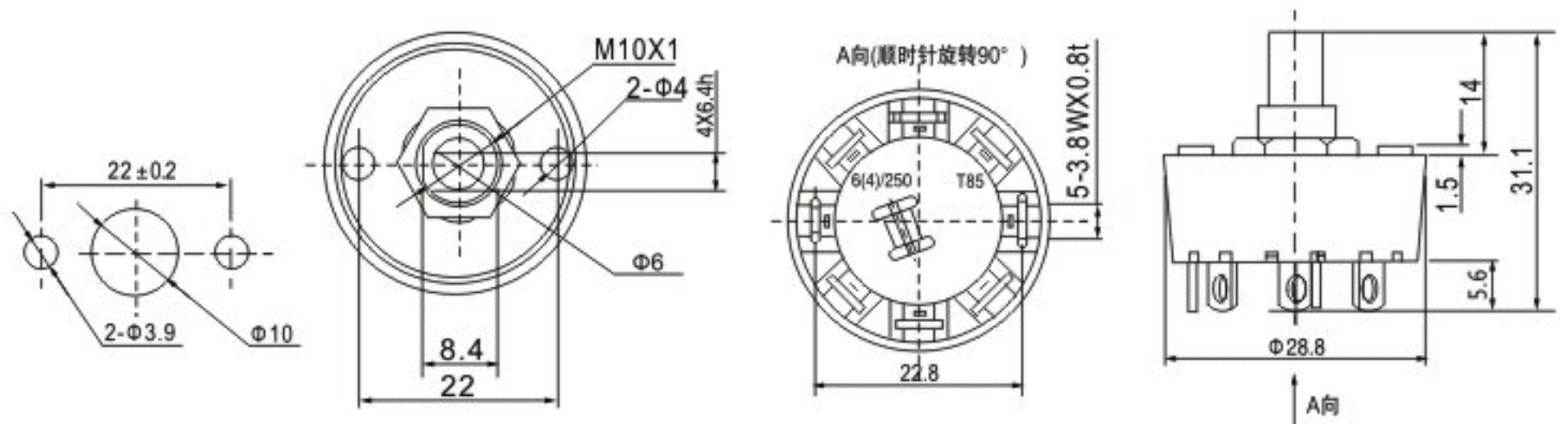
RTS-01-1P-20VP (1 Pole)
 RTS-01-2P-20VP (2 Poles)
 RTS-01-3P-20VP (3 Poles)
 RTS-01-4P-20VP (4 Poles)
 L=15;20;25;30;38;50mm
 0.3A 125VAC;0.15A 250VAC



RS16-1-8-15VP (1P8T)
 RS16-2-4-15VP (2P4T)
 L=15;20;25mm
 0.3A 60VDC



RT634-1 (5Pin 4Position)
 RT634-2 (3Pin 2Position)
 RT634-3 (4Pin 3Position)
 RT634-4 (6Pin 5Position)
 RT634-5 (7Pin 6Position)
 RT634-6 (8Pin 7Position)
 RT634-7 (9Pin 8Position)
 6A 250VAC T85



RT2
 L=11.4;15;18;23;26mm
 16A 250VAC T100

